

TONONE

technical specifications

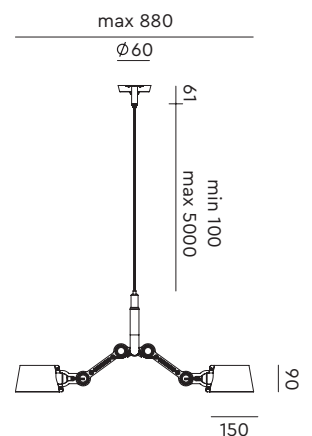
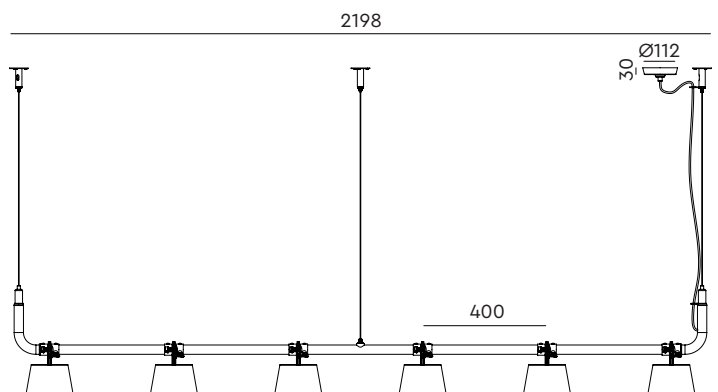
BOLT 12-pack pendant

Design by Anton de Groof, 2013



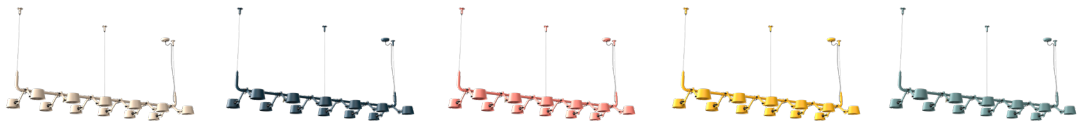
Starting point for the products of Tonone is the passion for traditional mechanics. The first product line that resulted from this fascination is the lamp series 'Bolt'. Key element in this industrial series is the joint construction that can be adjusted with a wingnut-shaped tool. Besides being a functional tool, this wingnut is integrated in the design of the lamp itself as a distinctive visual element. The Bolt collection is available in 29 different models and in 11 colors.

Type	Pendant
Environment	Indoor
Material	Steel & aluminum
Wingnut	Wingnut Solid Brass included
Cord length	Max 5000 mm
Weight	12,6 kg
Voltage	220-240 V
Max Watt	60 Watt
Socket	E27
IP	20
Lightsource	Lightsource not included
Packaging	
Weight	20 kg
Length	240 cm
Width	29 cm
Height	47 cm



TONONE

technical specifications



Article number

	smokey black	1173
	flux green	1208
	pure white	1209
	midnight grey	1214
	ash grey	1213
	striking orange	1211
	lightning white	1210
	thunder blue	1212
	daybreak rose	1498
	sunny yellow	1456
	ice blue	1649